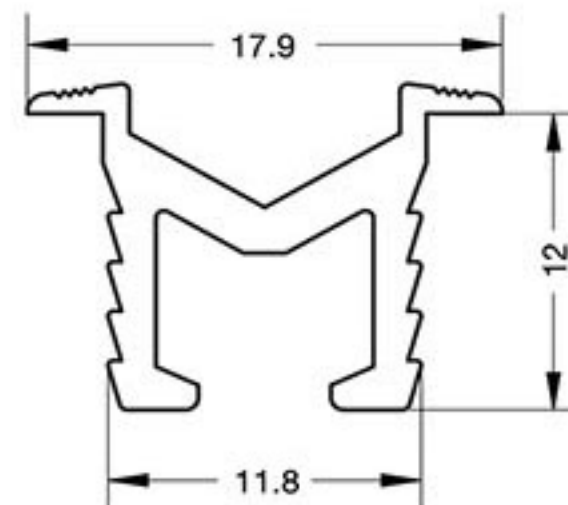


# BOTTOM RAIL FOR FDS, FES, FMS

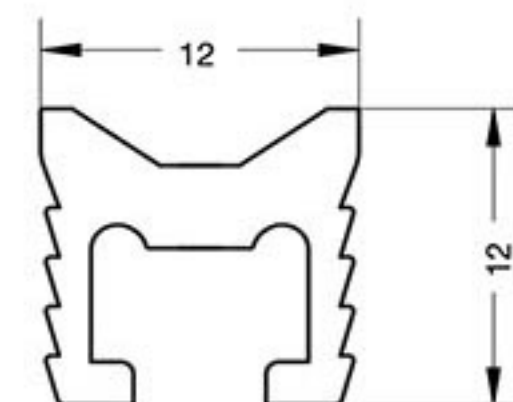
AV

SLIDING DOOR ROLLER



AVED-12S/1820

Applicable Rollers:  
FDS-0259, FDS-0339  
FES-0339, FES-0429



AVF-12S/1820

Applicable Rollers:  
FDS-0259, FDS-0339  
FES-0339, FES-0429  
FMS-0509

Item Code	Item Name	Length	Weight	Box	Carton
250-129-781	AVF-12S/1820	1820	256 g	1 pc	10 pcs
250-129-780	AVED-12S/1820		309 g		

Material	Finish
Aluminium	Anodized

